

Specification

Model	CCA-4710WS-21
Pick up Element	1/4" Aptina 1.0MP CMOS Sensor
Effective Picture Elements (H×V)	NTSC:976(H)×494(V)
Horizontal Resolution	720 TV Line
Minimum Illumination	0.001 Lux/F1.2 0Lux (with IR LED ON)
S/N Ratio	More than 50dB
Scanning System	2:1 interface
Synchronous System	Internal, Negative sync.
Auto Electronic Shutter	NTSC: 1/60s~1/100,000s
Gamma Characteristic	0.45
IR Distance	65 FT (with ϕ 5X21 PCS Infrared LED)
Video Output	1Vpp, 75 Ω
Auto Gain Control	Auto
Power/Current	DC12V(+/-10%)/500mA
Lens	2.8-12mm Manual Zoom Lens
Dimension (in)	ϕ 5.1x3.9(H)
Weight (lb)	1.66
Storage Temperature	-22°F~140°F RH95% MAX
Operating Temperature	14°~140°F RH95% MAX

Packing List

No	Name	Model	Number
1.	Indoor IR Dome Color Camera	CCA-4710WS-21	1
2.	User Guide	CCA-4710WS-21	1

CCA-4710WS-21 Color Camera

Indoor IR Dome Color Camera



NOTE:
Please read this guide
BEFORE installing


CREST
 ELECTRONICS INC
 3700 ALLIANCE DRIVE
 GREENSBORO, NC 27407-2016
 888-50-CREST/336-855-6422
 FAX: 336-855-6676
 www.crestelectronics.com


CREST
 ELECTRONICS INC

BRIEF OF PRODUCT

* Sensor (CCD)

1/4" Aptina 1.0MP CMOS Sensor

* Auto Gain Control (AGC)

Built-in auto gain control (AGC) circuit. The color camera can get high definition picture in low Lux condition.

* Scanning Mode

NTSC or PAL mode.

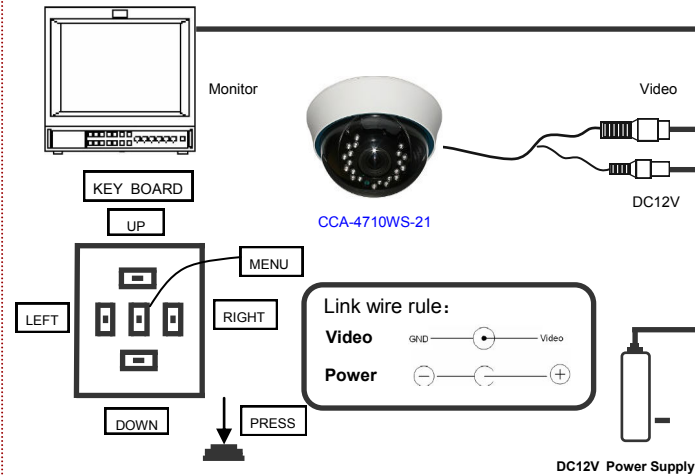
* Support UTC function

With UTC Remote Controller for the convenience of OSD menu setting.

* OSD SETTING

OSD SET	SCENE SELECT	FULL AUTO	SHUTTER/AGC WHITE BAL HLC/BLC ATR-EX DNR DAY/NIGHT IR OPTIMIZER LENS SHD COMP DEFOG FLK LESS ANTI CR
		INDOOR	
		OUTDOOR	
		BACKLIGHT	
		ITS	
		CUSTOM	
	PICT ADJUST	BRIGHTNESS	
		CONTRAST	
		SHARPNESS	
		HUE	
		COLOR GAIN	
	EZOOM	MAG	0-255
		PAN	
		TILT	
	DIS	ON/OFF	
		AREA SEL	1-15
	PRIVACY MASK	DISPLAY	ON/OFF
		POSITION	
		COLOR	8
		TRANSP	0-1
		MOSAIC	ON/OFF
	MOTION DET	DETECT SENSE	
		INTERVAL	
		BLOCK DISP	
		MASK AREA	
MONITOR AREA			
SYSTEM SETTING	SYNC MODE		
	LENS		
	FLIP		
	LCD/CRT		
	COMMUNICATION		
	CAMERA ID		
LANGUAGE	ENGLISH, JAPANESE, CHINESE, RUSSIAN, FRENCH, GERMAN, SPANISH, PORTUGUESE		
MAINTENANCE	W.PIX MASK		
	CAMERA RESET		

CONNECTING



TROUBLE AND SOLUTION

TROUBLESHOOTING	
NO VIDEO	<ul style="list-style-type: none"> ◆ <u>Power Supply</u> Check input power connections at the terminal (AC/DC input wires) ◆ <u>Voltage Range</u> Measure the voltage at the terminal block. The supply range is: 12VDC. ◆ <u>Video Connection</u> Determine if wiring polarity at "Video Connector" is correct. <p>If ok, the problem may be with the interconnections/splices.</p>
ROLLING PICTURE	<ul style="list-style-type: none"> ◆ Check to make sure the coax shield is not touching "ground"
POOR PICTURE	<ul style="list-style-type: none"> ◆ Ensure that the video cable is terminated with 75 ohms at each end.

INTRODUCTION

The Crest Electronics CP-4707WS-21 camera is based on the latest high-resolution 960H sensor and is capable of delivering a resolution of 720TVL. The Wide Dynamic Range of the sensor allows the camera to capture detailed images even in challenging lighting conditions. With built in Smart IR, varifocal lens and OSD menu, this camera can be adjusted to suit a wide variety of needs.

Please read this instruction manual carefully to ensure proper use of the camera.



NOTICE: For best results, please read this instruction booklet prior to installing the CCA-4710WS-21 camera.

INSTALLATION NOTES



During installation, please make sure the lens seal ring is tightly fitted to the cover; this reduces the chance of IR reflection during low light viewing.

!	CAUTION: RISK OF ELECTRIC. DO NOT OPEN	⚡
CAUTION: TO REDUCE THE RISK OF ELECTRIC SHOCK DO NOT REMOVE COVER OR BACK. NO USER SERVICEABLE PARTS INSIDE. REFER SERVICING TO QUALIFIED SERVICE PERSONNEL.		
CAUTION: CSA CERTIFIED/UL LISTED CLASS 2 POWER ADAPTORS MUST BE USED IN ORDER TO COMPLY WITH ELECTRICAL SAFETY STANDARDS.		



Note:

- Please note the camera's operating temperature is -4°F~140°F. Use of the product outside this range is not recommended.
- This installation should be made by a qualified service person and conform to all local codes. Crest Electronics will not be responsible for damages or injuries as a result of improper installation.