

Specification

Model	CJ-3412C
Pick up Element	1/3" SONY Super HAD CCD II
Effective Picture Elements (H×V)	NTSC:768(H)×494(V)
Horizontal Resolution	650 TV Line
Minimum Illumination	0.001 Lux/F1.2
S/N Ratio	More than 52dB
Scanning System	2:1 interface
Synchronous System	Internal, Negative sync.
Auto Electronic Shutter	NTSC: 1/60s~1/100,000s
Gama Characteristic	0.45
Video Output	1Vpp, 75Ω
Auto Gain Control	Auto
Power/Current	DC12V(+/-10%)/150mA
Lens	3.7mm Taper Pinhole
Dimension (in)	.98(W) x.40(H) x.98(D)
Weight (lb)	.27
Storage Temperature	-22°~140°F RH95% MAX
Operating Temperature	14°~122° F RH95% MAX

Packing List

No	Name	Model	Number
1.	Miniature Color Camera	CJ-3412C	1
2.	User Guide	CJ-3412C	1

CJ-3412C Color Camera

Miniature Color Camera



NOTE: Please read this guide BEFORE installing



3706 ALLIANCE DRIVE
GREENSBORO, NC 27407-2016
(888) 50-CREST/336-855-6422
FAX: 336-855-6676
www.crestelectronics.com



BRIEF OF PRODUCT

* Sensor (CCD)

SONY 1/3" CCD Sensor.

* Auto Gain Control (AGC)

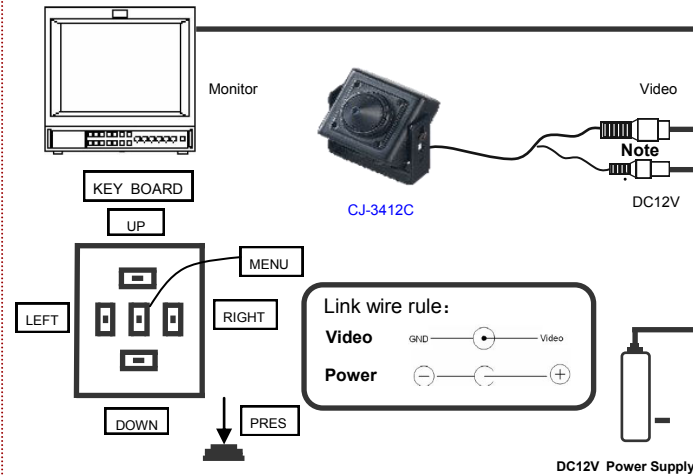
Built-in auto gain control (AGC) circuit. The color camera can capture high definition pictures in low Lux conditions.

* Scanning Mode

NTSC

EXPO-SURE	LENS	MANUAL/DC/VIDEO
	SHUTTER	AUTO,FLK,1/50,1/250,1/500,1/2000,1/40000,1/50000,1/100000,1/1000000
	AGC	LOW/MIDDLE/HIGH/OFF
WHITE BAL	D-WDR	OFF/ON(LEVEL:0-63)
	ATW/AWB/AWC-SET/ANTI.CRL/MANUAL:(INDOOR, OUTDOOR, MANUAL)	
BACK LIGHT		OFF
	BLC:AREA SEL/AREA STATE/GAIN/HEIGHT/LEFT/RIGHT/TOP/BOTTOM	
	HLC:LEVEL(0-255)/ MODE(ALL DAY/NIGHT ONLY)	
DAY & NIGHT	COLOR	
	B/W	BURST(OFF/ON)/IR SMART(OFF/ON:IR GAIN/HEIGHT/WIDTH/LEFT/RIGHT/TOP/ BOTTOM)/IR LEVEL(HIGH/LOW)
	AUTO	D-N(LEVEL/DELAY) /N-D(LEVEL/DELAY)
	EXT	D→N DELAY/N→D DELAY
DPC	COVER THE LENS THEN PRESS ENTER KRY	
OSD SET	CAM TITLE	ON/OFF
	MOTION OFF/ON	AREA SEL:AREA1-4
		AREA STATE:OFF/ON
	PRIVACY OFF/ON	HEIGHT/WIDTH/LEFT/RIGHT/TOP/BOTTOM /DEGREE/VIEW
		AREA SEL:AREA1-8
	PARK.LINE	AREA STATE:OFF/ON
		HEIGHT/WIDTH/LEFT/RIGHT/TOP/BOTTOM /COLOR
	SPECIAL	OFF/ON(LT/LB/RT/RB/F/N/T/V1/V2/V3)
		LENS SHAD:OFF/ON
		2DNR:OFF/ON
MIRROR:OFF/ON		
FONT COLOR:FONT(0-15)/ID&TITLE(0-15)		
IMAGE ADJ	CONTRAST:0-255 SHARPNESS:0-31 NEG.IMAGE:OFF/ON	
	DISPLAY:CRT(PED LEVEL:0-63/COLOR GAIN:0-255)/LCD (GAMMA:0-1/PED LEVEL:0-63/COLOR:0-255)/USER (GAMMA:0-1/PED LEVEL:0-63/COLOR:0-255)	
COMM ADJ	CAM ID(0-255)/BAUD RATE/PROTOCOL/DISPLAY ID/ID POS	
LAN-GUAGE	CHINESE/ENGLISH/ESPANYOL/PYCKNN/DEUTSCH/PORTUGUES/FRANCAIS/JAP	
RESET	FACTORY RESET	

CONNECTING



TROUBLESHOOTING

NO VIDEO

- ◆ Power Supply
Check input power connections at the terminal (AC/DC input wires)
- ◆ Voltage Range
Measure the voltage at the terminal block. The supply range is: 12VDC.
- ◆ Video Connection
Determine if wiring polarity at "Video Connector" is correct.

If ok, the problem may be with the interconnections/splices.

ROLLING PICTURE

- ◆ Check to make sure the coax shield is not touching "ground"

POOR PICTURE

- ◆ Ensure that the video cable is terminated with 75 ohms at each end.

INTRODUCTION

The Crest Electronics CJ-3412C camera is based on the latest high-resolution 960H sensor and is capable of delivering a resolution of 650TVL. The Wide Dynamic Range of the sensor allows the camera to capture detailed images even in challenging lighting conditions. With built in OSD menu, this camera can be adjusted to suit a wide variety of needs.

Please read this instruction manual carefully to ensure proper use of the camera.



NOTICE: For best results, please read this instruction booklet prior to installing the CJ-3412C camera.



RISK OF ELECTRIC. DO NOT OPEN



CAUTION:

CAUTION: TO REDUCE THE RISK OF ELECTRIC SHOCK DO NOT REMOVE COVER OR BACK. NO USER SERVICEABLE PARTS INSIDE. REFER SERVICING TO QUALIFIED SERVICE PERSONNEL.

CAUTION: CSA CERTIFIED/UL LISTED CLASS 2 POWER ADAPTORS MUST BE USED IN ORDER TO COMPLY WITH ELECTRICAL SAFETY STANDARDS.



Note:

- Please note the camera's operating temperature is -4°F~131°F.
- Use of the product outside this range is not recommended.
- This installation should be made by a qualified service person and conform to all local codes. Crest Electronics will not be responsible for damages or injuries as a result of improper installation