

Specification

Model	CC-2807WF-20
Pick up Element	1/3" SONY Super HAD CCD II
Effective Picture Elements (H×V)	NTSC:976(H)×494(V) PAL:976(H)×582(V)
Horizontal Resolution	720 TV Line
Minimum Illumination	0.001 Lux/F1.2 0Lux (with IR LED ON)
S/N Ratio	More than 52dB
Scanning System	2:1 interface
Synchronous System	Internal, Negative sync.
Auto Electronic Shutter	NTSC: 1/60s~1/100,000s, PAL: 1/50s~1/100,000s
Gama Characteristic	0.45
IR Distance	20 Meters (with ϕ 5X24 PCS Infrared LED)
Video Output	1Vpp, 75 Ω
Auto Gain Control	Auto
Power/Current	DC12V(+/-10%)/350mA
Lens	Board Lens 3.6mm /F2.0
Dimension (in)	3.8 x 2.8
Weight (oz)	14.5
Storage Temperature	-22~+140° F RH95% MAX
Operating Temperature	+14~+120°F RH95% MAX

Packing List

No	Name	Model	Number
1.	Vandalproof IR Dome Color Camera	CC-2807WF-20	1
2.	User Guide	CC-2807WF-20	1



3706 ALLIANCE DRIVE
GREENSBORO, NC 27407-2016
(888) 50-CREST/336-855-6422
FAX: 336-855-6676
www.crestelectronics.com

CC-2807WF-20 Color Camera

Vandalproof IR Dome Color Camera Effio-A



NOTE:
Please read this guide BEFORE
installing



BRIEF OF PRODUCT

* Sensor (CCD)

Adopt SONY 1/3" CCD Sensor.

* Auto Gain Control (AGC)

Built-in auto gain control (AGC) circuit. The color camera can get high definition picture in low Lux condition.

* Scanning Mode

NTSC or PAL mode.

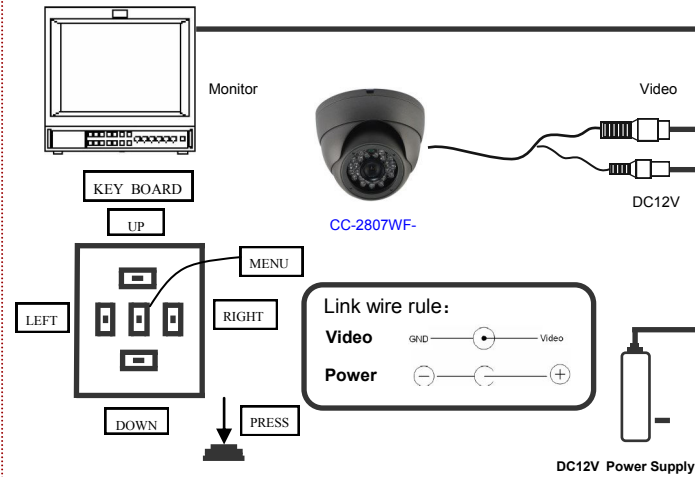
* Support UTC function

With UTC Remote Controller for the convenience of OSD menu setting.

* OSD SETTING

OSD SET	SCENE SELECT	FULL AUTO	SHUTTER/AGC WHITE BAL HLC/BLC ATR-EX DNR DAY/NIGHT IR OPTIMIZER LENS SHD COMP DEFOG FLK LESS ANTI CR
		INDOOR	
		OUTDOOR	
		BACKLIGHT	
		ITS	
		CUSTOM	
	PICT ADJUST	BRIGHTNESS	
		CONTRAST	
		SHARPNESS	
		HUE	
		COLOR GAIN	
	EZOOM	MAG	0-255
		PAN	
		TILT	
	DIS	ON/OFF	
	PRIVACY MASK	AREA SEL	1-15
		DISPLAY	ON/OFF
		POSITION	
		COLOR	8
		TRANSP	0-1
	MOTION DET	MOSAIC	ON/OFF
		DETECT SENSE	
		INTERVAL	
		BLOCK DISP	
		MASK AREA	
SYSTEM SETTING	MONITOR AREA		
	SYNC MODE		
	LENS		
	FLIP		
	LCD/CRT		
LAN-GUAGE	COMMUNICATION		
	CAMERA ID		
MAINTENANCE	ENGLISH, JAPANESE, CHINESE, RUSSIAN, FRENCH, GERMAN, SPANISH, PORTUGUESE		
	W.PIX MASK		
	CAMERA RESET		

CONNECTING



TROUBLE AND SOLUTION

TROUBLESHOOTING	
NO VIDEO	<ul style="list-style-type: none"> ◆ <u>Power Supply</u> Check input power connections at the terminal (AC/DC input wires) ◆ <u>Voltage Range</u> Measure the voltage at the terminal block. The supply range is: 24VAC or 12VDC. ◆ <u>Video Connection</u> Determine if wiring polarity at "Video Connector" is correct. <p>If ok, the problem may be with the interconnections/splices.</p>
ROLLING PICTURE	<ul style="list-style-type: none"> ◆ Check to make sure the coax shield is not touching "ground"
POOR PICTURE	<ul style="list-style-type: none"> ◆ Ensure that the video cable is terminated with 75 ohms at each end.

INTRODUCTION

The Crest Electronics CC2807WF-20 camera is based on the latest high-resolution 960H sensor and is capable of delivering a resolution of 720TVL. The Wide Dynamic Range of the sensor allows the camera to capture detailed images even in challenging lighting conditions. With built in Smart IR, varifocal lens and OSD menu, this camera can be adjusted to suit a wide variety of needs.

Please read this instruction manual carefully to ensure proper use of the camera.



NOTICE: For best result, please read this instruction booklet prior to installing the CC—2807WF-20 camera.



CAUTION: TO REDUCE THE RISK OF ELECTRIC SHOCK DO NOT REMOVE COVER OR BACK NO USER SERVICEABLE PARTS INSIDE. REFER SERVICING TO QUALIFIED SERVICE PERSONNEL.

CAUTION: CSA CERTIFIED/UL LISTED CLASS 2 POWER ADAPTORS MUST BE USED IN ORDER TO COMPLY WITH ELECTRICAL SAFETY STANDARDS.

