

SPECIFICATIONS

Model	CCA-4810WS-21
Pick up Element	1/4" Aptina 1.0MP CMOS Sensor
Effective Picture Elements (H×V)	NTSC: 1280(H)×720(V)
Resolution	720p
Minimum Illumination	0.01 Lux
S/N Ratio	More than 50dB
Scanning System	2:1 interface
Synchronous System	Internal
Auto Electronic Shutter	NTSC: 1/30s~1/60,000s
Gama Characteristic	0.45
IR Distance	98 Feet (with 5X30 PCS Infrared LED)
Video Output	1Vpp, 75Ω
Auto Gain Control	Auto
UTC	YES
Power/Current	12Vdc(+/-10%)/500mA
Lens	2.8-12mm Manual Zoom Lens
Dimension (mm)	5 1/2 X 4 1/2(H) in
Weight (g)	pounds
Storage Temperature	-4°F~140°F RH95% MAX
Operating Temperature	-4°F~122°F RH95% MAX

Packing List

No	Name	Model	Number
1.	Vandalproof IR Dome Color Camera	CCA-4810WS-21	1
2.	User Guide	CCA-4810WS-21	1



3706 ALLIANCE DRIVE
GREENSBORO, NC 27407-2016
(888) 50-CREST/336-855-6422
FAX: 336-855-6676
www.crestelectronics.com

CCA-4810WS-21 Color Camera

User Guide

Vandalproof IR Dome w/ 3-Axis Bracket AHD/1280H Analog



NOTE:
Please read this guide BEFORE
installing



KEY FEATURES

* Sensor (CMOS)

1/4" Aptina 1.0MP CMOS Sensor

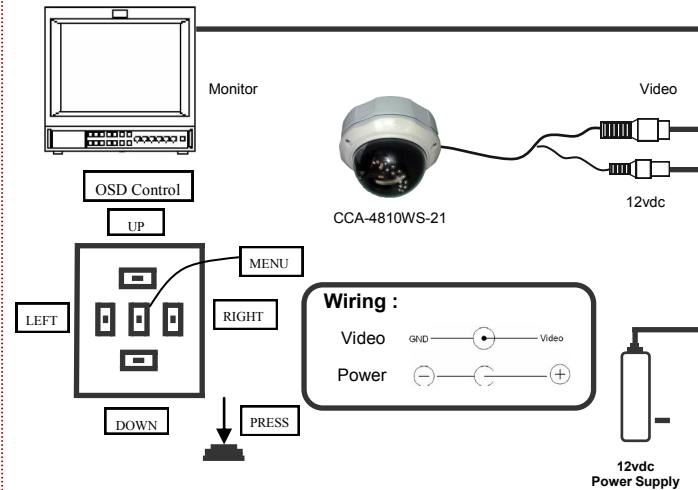
* Auto Gain Control (AGC)

Built-in **AGC** circuit. Allows for the capture of high quality images in changing lighting conditions.

* ON Screen Display (OSD) Menu

Allows user to customize features of the camera through built in controller.

CONNECTIONS



TROUBLESHOOTING

TROUBLESHOOTING	
NO VIDEO	<ul style="list-style-type: none"> ◆ <u>Power</u> <u>Supply</u> Check input power connections at the terminal (DC input wires) ◆ <u>Voltage</u> <u>Range</u> Measure the voltage at the terminal block. The supply range is: 12VDC. ◆ <u>Video</u> <u>Connection</u> Determine if wiring polarity at "Video Connector" is correct. <p>If ok, the problem may be with the interconnections/splices.</p>
ROLLING PICTURE	<ul style="list-style-type: none"> ◆ Check to make sure the coax shield is not touching "ground"
POOR PICTURE	<ul style="list-style-type: none"> ◆ Ensure that the video cable is terminated with 75 ohms at each end.

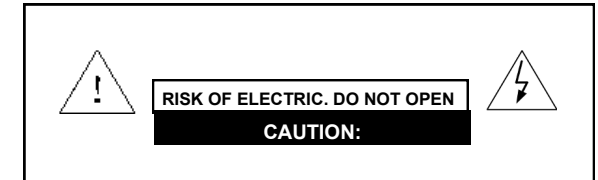
INTRODUCTION

The Crest Electronics CCA-4810WS-21 camera is based on the latest high-resolution AHD sensor and is capable of delivering a resolution of 720p. The Wide Dynamic Range of the sensor allows the camera to capture detailed images even in challenging lighting conditions. With built in Smart IR, varifocal lens and OSD menu, this camera can be adjusted to suit a wide variety of needs.

Please read this instruction manual carefully to ensure proper use of the camera.



NOTICE: For best result, please read this instruction booklet prior to installing the CCA-4810WS-21 camera.



CAUTION: TO REDUCE THE RISK OF ELECTRIC SHOCK DO NOT REMOVE COVER OR BACK NO USER SERVICEABLE PARTS INSIDE. REFER SERVICING TO QUALIFIED SERVICE PERSONNEL.

CAUTION: CSA CERTIFIED/UL LISTED CLASS 2 POWER ADAPTORS MUST BE USED IN ORDER TO COMPLY WITH ELECTRICAL SAFETY STANDARDS.

