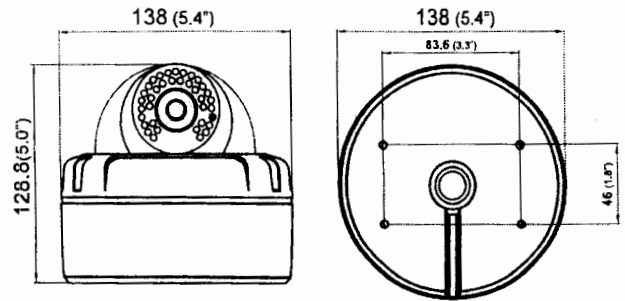
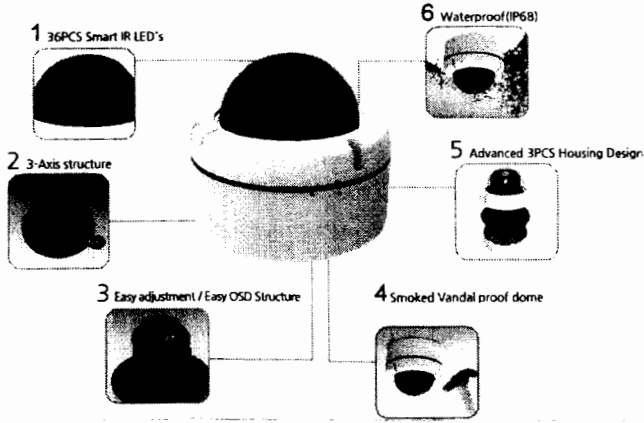


# Owner's Manual

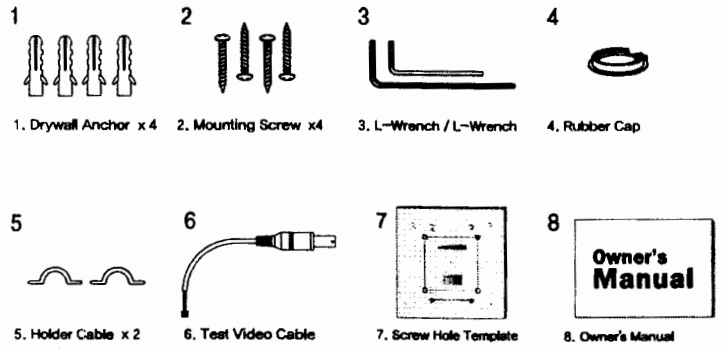
- 2.8~12mm Wide-Depth DC Auto Iris Lens
- Ultra High Resolution
- 3-Axis structure



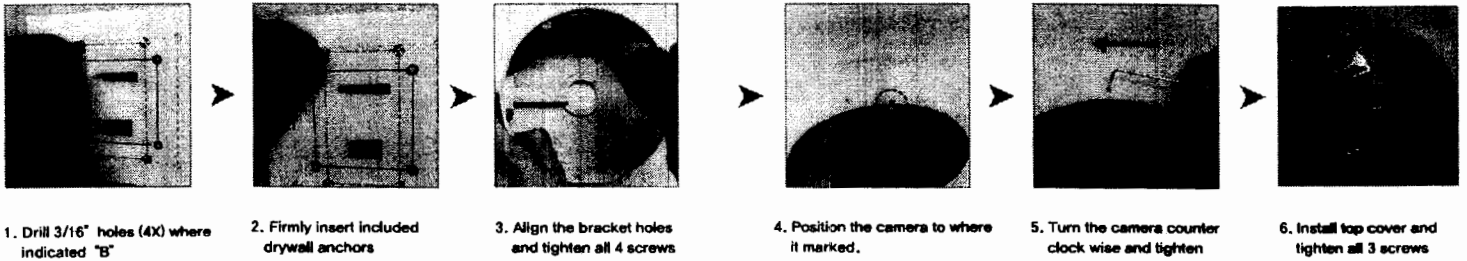
## 2. Features



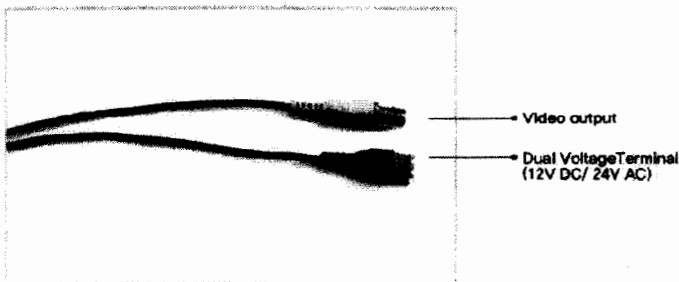
## 3. Contents



## 4. Installation Guide



## 5. Cables



## 6. Settings

### Menu Configuration

EXPOSURE	- BC - ALC
EXPOSURE	- SHOT/SH - SHOT/SH - OFF
WHITE BAL	- ATW/PLSH - MANUAL
SENSOR	- SHARP - CORRECT - SHARPEN - SHARPEN - HELL
IMAGE	- BACKLIGHT - CONTRAST - POS/NEG - MIRROR - INVERT - RETURN
OSD	- ON/OFF/POWER
MOTION	- ON/OFF
SYSTEM	- SHOT - CAMERA - ON/OFF - STOP - ON/OFF - RETURN - LANGUAGE - PAGE
EXIT	- SAVE/RESTORE/RECALL/MANUAL

See back for more details.

- Push the SET button > menu open
- Icon 4 has sub menus. Press the set button to enter sub menus.

1. Up and Down : Move Cursor
2. Left and Right : Value
3. Left and Right > Push > Menu > Value
4. END : Push > Return

## 7. Specifications

IMAGE SENSOR	1/3" 960H IT CCD
EFFECTIVE PIXEL	976(H) x 494(V) 976(H) x 582(V)
SCANNING SYSTEM	2:1 INTERLACE
SYNCHRONIZATION	INTERNAL
HORIZONTAL RESOLUTION	700TV LINES
VIDEO OUTPUT	COMPOSITE (1.0Vp-p/750ohm)
S/N (Y SIGNAL)	More Than 50dB
LENS	2.8~12mm DC Auto Iris Lens (ICR - Option)
ELECTRONIC SHUTTER	1/60 ~ 120,000sec   1/50 ~ 120,000sec
BACKLIGHT COMPENSATION	BLC / HLC / OFF
WHITE BALANCE	Auto / Preset / Manual
DAY & NIGHT	Auto / Day / Night / EXT
PRIVACY MASKING	ON/OFF (8 ZONES)
DNR	OFF / LOW / MIDDLE / HIGH
SMART IR	OFF / ON
SENS UP	OFF / x1 ~ x1024
MOTION	OFF / ON (4 POINTS)
DEFECT DET	OFF / ON
IR LED	36PCS
INPUT VOLTAGE	DC 12V(±10%) / AC 24V DUAL VOLTAGE (OPTION)
HEATER OPERATION SPECIFICATION	INTERNAL OPERATING TEMPERATURE OFF : 20° / ON : -20° HEATER OFF DC IR OFF : 140mA(±10%) / IR ON : 360mA (Max) HEATER OFF AC IR OFF : 220mA(±10%) / IR ON : 400mA (Max) HEATER ON DC IR OFF : 260mA(±10%) / IR ON : 480mA (Max) HEATER ON AC IR OFF : 350mA(±10%) / IR ON : 500mA (Max)
POWER CONSUMPTION	
OPERATING TEMP. / HUM.	-10°C ~ +50°C / MAX 90% RH
STORAGE TEMP. / HUM.	-20°C ~ +60°C / MAX 90% RH

\*This device complies with part 15 of the FCC Rules. Operation is subject to the following two conditions: (1) This device may not cause harmful interference, and (2) this device must accept any interference received, including interference that may cause undesired operation.

## 8. Installation Caution



- Do not install the camera face towards the direct sun light.
- Do not install camera in an environment where the humidity is high.
- Handle with care. Dropping or sudden impact can damage the camera permanently.
- Do not install or use camera in extreme temperature condition.
- Do not touch the glass part of the lenses with your fingers.
- Cutting or altering a video cable will void the warranty.
- Bad grounding or running camera wires too close from power line may cause video (Ground Loop) interference.
- If product arrives damaged or defective, do not attempt to fix. Please contact your local dealer for RMA service.

\*This camera may require professional installation. Please contact your local dealer for more information.

\*Design and specifications are subjected to change without notice.

## 9. OSD Tree

