

CCA-4824WS-21

AHD/TVI/CVI/960H IR Dome Cam



1080p 2MP Vandal Dome with IR and 2.8-12mm Varifocal Lens

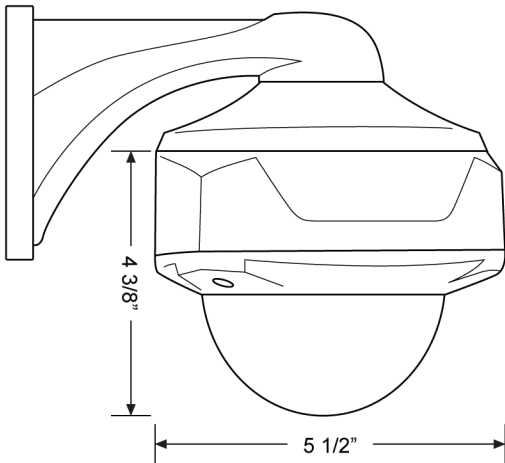
- Analog high definition for 1080p resolutions over coax
- IP68 rated weatherproof housing
- DWDR technology for great performance in all lighting
- True day/night performance, utilizing a motorized IR cut filter
- 3D DNR noise reduction
- 0 lux with IR LEDs on
- 30 IR LED built-in array with smart IR LED control for IR projection up to 114 feet
- Full 3-axis gimbal design, allows camera to be mounted to any surface, at any angle
- OSD menu with cable mounted joystick
- 5 1/2" (diameter) x 4 3/8" (height)



Contact your Crest Representative today to learn more about this product!



Product Data: CCA-4824WS-21 AHD/TVI/CVI/960H IR Dome Cam



	CCA-4824WS-21
Model Number	CCA-4824WS-21
Product Description	AHD/TVI/CVI/960H Color Vandal Dome Camera with IR
Image Pick-Up Device	1/3" 2.1MP CMOS Sensor
Resolution	1080p (1920 x 1080)
Minimum Illumination	0.01 Lux in Color; 0 Lux with IR On
S/N Ratio	More than 60dB
Auto Electronic Shutter	NTSC: 1/30-1/60,000s
Auto Gain Control	User Selectable
Auto White Balance	User Selectable
Back Light Compensation	User Selectable
Scanning System	2:1 Interlace
Gamma Characteristic	0.45
Lens Furnished	2.8-12mm Varifocal Lens
Synchronous System	Internal
Video Output	1 Vp-p / 75 Ohms, BNC Connector
Infrared Luminary	30 pieces Smart IR LED
Wave Length	850nm
OSD	Yes
Projection Distance	Up to 114 feet
Day/Night Activation	User Selectable
Power Supply	12vDC +/-10%
Power Consumption	500mA with IR LED On
Operating Temperature	-4 ~ 158°F
Dimensions	5 1/2" (dia) x 4 3/8" (h)

Specifications subject to change

