

Specification

Model	CC-4807XS-21
Pick up Element	1/3" SONY Super HAD CCD II EFFIO V
Effective Picture Elements (H×V)	NTSC: 976(H)×494(V)
Horizontal Resolution	720 TV Line
Minimum Illumination	0.001 Lux
S/N Ratio	More than 52dB
Scanning System	2:1 interface
Synchronous System	Internal, Negative sync.
Auto Electronic Shutter	NTSC: 1/60s~1/100,000s
Gama Characteristic	0.45
IR Distance	65 Feet (with 5X21 Unit Infrared LED)
Video Output	1Vpp, 75Ω
Auto Gain Control	Auto
UTC	YES
Power/Current	24VAC/12VDC(+/-10%)/500mA
Lens	2.8-12mm Manual Zoom Lens
Dimension (mm)	5.7X4.25(H) in
Weight (lbs)	2.65
Storage Temperature	-4°F~140°F RH95% MAX
Operating Temperature	14°F~122°F RH95% MAX

Packing List

No	Name	Model	Number
1.	Vandalproof IR Dome Camera	CC-4807XS-21	1
2.	User Guide	CC-4807XS-21	1


CREST
 ELECTRONICS INC
 3706 ALLIANCE DRIVE
 GREENSBORO, NC 27407-2016
 888-50-CREST/336-855-6422
 FAX: 336-855-6676
 www.crestelectronics.com

CC-4807XS-21 Color Camera

User Guide

Vandalproof IR Dome w/ 3-Axis Bracket



NOTE:
 Please read this guide BEFORE
 installing


CREST
 ELECTRONICS INC

BRIEF OF PRODUCT

* Sensor (CCD)

1/3" SONY Super HAD CCD II Sensor. Effio V

* Auto Gain Control (AGC)

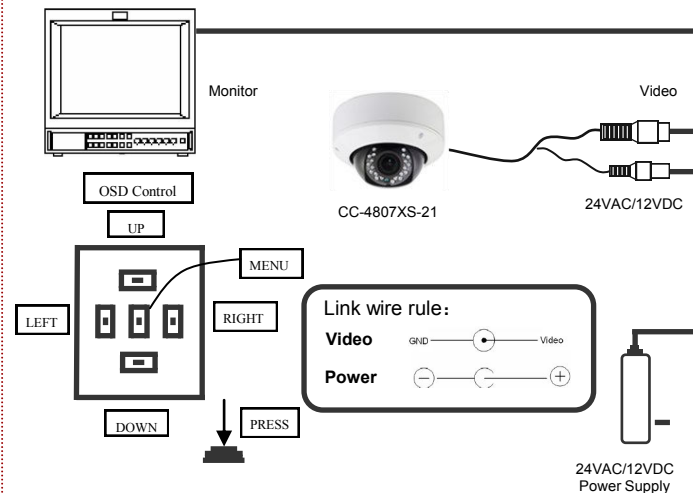
Built-in **AGC** circuit. Allows for the capture of high quality images in changing lighting conditions.

* ON Screen Display (OSD) Menu

Allows user to customize features of the camera through built in controller— Selectable options listed below :

SCENE SELECT	FULL AUTO/ INDOOR/ OUTDOOR/ BACKLIGHT/ ITS/CUSTOM	SHUTTER/AGC	AUTO	AE LEVEL	1-250(100)	
				AGC MAX	6/12/18/24/30/36/42/44.8	
			SENS UP	OFF/AUTO		
			MANUAL	SHUTTER/AGC MAX		
			FIX	SHUTTER/AGC		
		WHITE BAL	ATW	SPEED/DELAY CNT/ATW FRAME/ ENVIRONMENT		
				PUSH/PUSH LOCK/USER1 /USER2/MANUAL		
		HLC/BLC	OFF/HLC/BLC			
		WDR/ATR-EX	WDR	CONTRAST	MID/HIGH/LOW	
				CLEAR FACE	MID/HIGH/OFF/LOW	
			ATR-EX	CONTRAST	MID/HIGH/LOW/	
				CLEAR FACE	MID/HIGH/OFF/LOW	
				OFF		
		DNR	LEVEL	0-6(3)		
		DAY/NIGHT	AUTO/DAY/NIGHT			
IR OPTIMIZER	OFF/ON	MODE/IR AREA/LEVEL/IR LED/COLOR NIGHT/IR SHADE COMP				
LENS SHD COMP	OFF/ON					
DEFOG	LEVEL	MID				
FLK LESS	OFF/ AUTO./ON	MODE	SHUTTER FIX/GAIN CNTL			
ANTI CR	AUTO/OFF/ON					
PICT ADJUST	BRIGHTNESS/CONTRAST/SHARPNESS HUE/COLOR GAIN					
EZOOM	OFF/ON	MAG/PAN/TILT				
DIS	OFF/ON					
PRIVACY MASK	AREA SEL/DISPLAY/POSITION/COLOR/TRANSP/MOSAIC					
MOTION	OFF/ON	DETECT SENSE/INTERVAL/BLOCK DISP/MASK AREA/MONITOR AREA				
SYS SETTING	SYNC MODE	INT				
		MANUAL				
	LENS	AUTO	TYPE/MODE/ADJUST/SPEED			
		FLIP	OFF/V/H/HV			
	LCD/CRT					
COMMUNICA- TION	PROTOCOL/ADDRESS/BAUDRATE/DATABIT/ PARITY/STOPBIT					
CAMERA ID	OFF/ON					
LANGUAGE	ENGLISH/CHINESS/JAPANESS/ESPAÑOL/PORTUGUES/PIYCKNN/ FRANCAIS/DEUISCH					
MAINTENANCE	W.PIX MASK	AUTO	LEVEL1/L/LEVEL2/AUTO			
		MANUAL	REGISTRATION/REG.POINT/CURSOR COLOR/BLINK/REG.NUMBER			
	DATA CLEAR	YES/NO				
CAMERA RESET						
EXIT	SAVE/NO SAVE/CANCEL/BACK					

CONNECTING



TROUBLE AND SOLUTION

TROUBLESHOOTING

NO VIDEO

- ◆ **Power Supply**
Check input power connections at the terminal (AC/DC input wires)
- ◆ **Voltage Range**
Measure the voltage at the terminal block. The supply range is: 24VAC or 12VDC.
- ◆ **Video Connection**
Determine if wiring polarity at "Video Connector" is correct.

If ok, the problem may be with the interconnections/splices.

ROLLING PICTURE

- ◆ Check to make sure the coax shield is not touching "ground"

POOR PICTURE

- ◆ Ensure that the video cable is terminated with 75 ohms at each end.

INTRODUCTION

The Crest Electronics CP-4807XS-21 camera is based on the latest high-resolution 960H sensor and is capable of delivering a resolution of 720TVL. The Wide Dynamic Range of the sensor allows the camera to capture detailed images even in challenging lighting conditions. With built in Smart IR, varifocal lens and OSD menu, this camera can be adjusted to suit a wide variety of needs.

Please read this instruction manual carefully to ensure proper use of the camera.



NOTICE: For best result, please read this instruction booklet prior to installing the CC-4807XS-21 camera.



CAUTION:

RISK OF ELECTRIC. DO NOT OPEN



CAUTION: TO REDUCE THE RISK OF ELECTRIC SHOCK DO NOT REMOVE COVER OR BACK. NO USER SERVICEABLE PARTS INSIDE. REFER SERVICING TO QUALIFIED SERVICE PERSONNEL.

CAUTION: CSA CERTIFIED/UL LISTED CLASS 2 POWER ADAPTORS MUST BE USED IN ORDER TO COMPLY WITH ELECTRICAL SAFETY STANDARDS.



Note:

- Please note the camera's operating temperature is -4°F~140°F. Use of the product outside this range is not recommended.
- This installation should be made by a qualified service person and conform to all local codes. Crest Electronics will not be responsible for damages or injuries as a result of improper installation.